

Product description

The L-Shaped Anti-Slip Stairs and Anti-Slip Ramp equipment is designed to replicate real-life walking conditions more closely, allowing frail elderly users to practice turning, balance, and coordination while navigating stairs and ramps. Unlike the straight layout, the L-shaped design introduces a change in direction, providing a more dynamic training experience. The equipment includes three-level handrails for support and non-slip surfaces on both the stairs and ramp to ensure safety. This design helps users build confidence in handling corners, commonly encountered in homes, public spaces, and outdoor environments.

Product information

Category	: SilverActive Elderly Fitness
Age group	: 16yrs & above
Product Code	: EF701
Maximum users	: 2 user
Sizes (mm)	: L2625 x H1415 x W3425 mm



Anti-Slip
Stairs

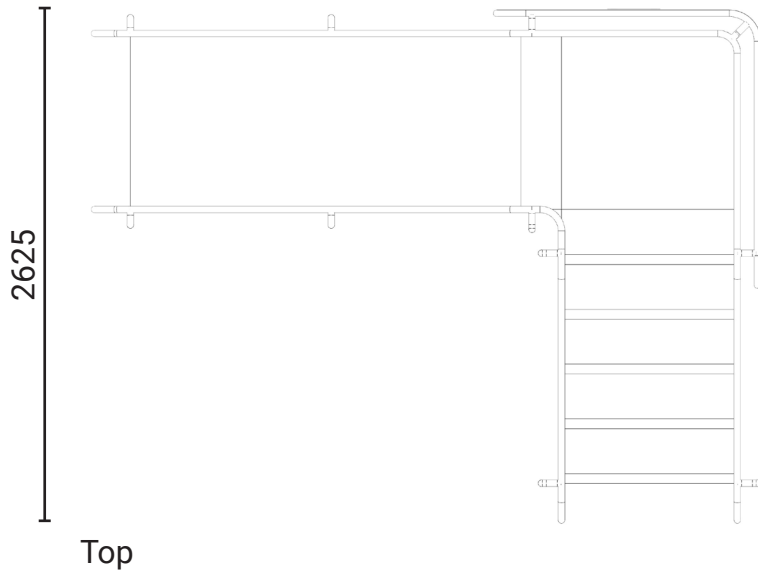
Instruction
Signage

Anti-Slip
Ramp

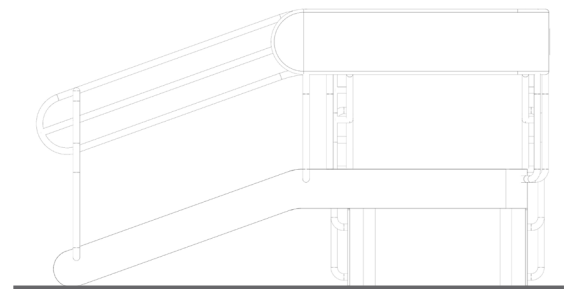
Subject to change without prior notice.

KINETICS PLAY SDN. BHD. (1223254-U)

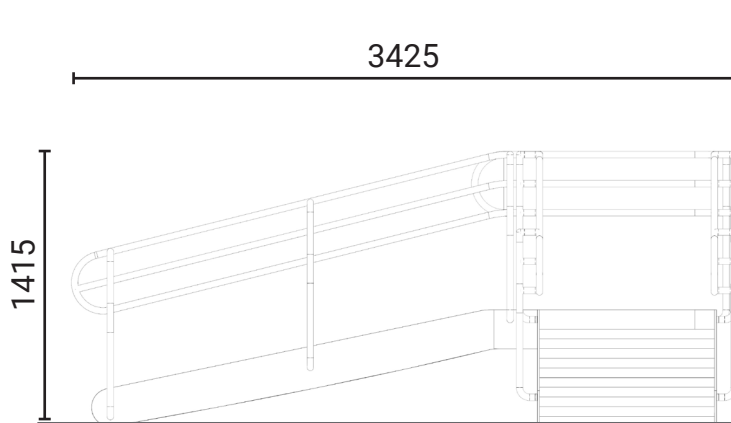
Lot 2-44 Jalan SU7, Lion Industrial Park, Persiaran Tengku Ampuan, 40300 Shah Alam, Selangor, Malaysia.
Tel: +603-5888 9104 Email: info@kineticsplay.com Web: www.kineticsplay.com



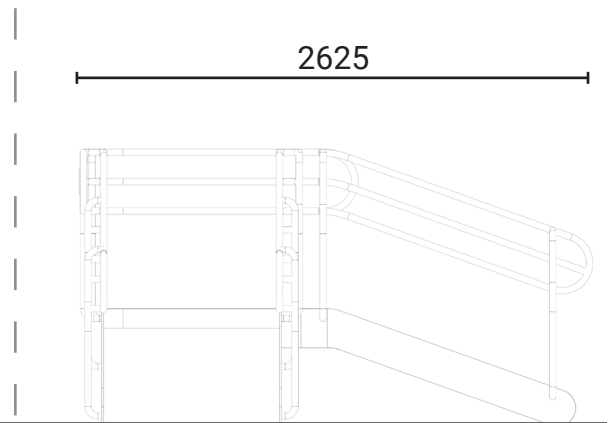
Top



Right Elevation



Front Elevation



Left Elevation

Subject to change without prior notice.

KINETICS PLAY SDN. BHD. (1223254-U)

Lot 2-44 Jalan SU7, Lion Industrial Park, Persiaran Tengku Ampuan, 40300 Shah Alam, Selangor, Malaysia.
Tel: +603-5888 9104 Email: info@kineticsplay.com Web: www.kineticsplay.com