



2 Trees

Product information

Product description

A large climbing net links two brilliant orange 'trees' together, creating a unified play structure. The interlinked design of this playground structure is inspired by the natural form of the banyan tree.

Category : Modern Banyan

Age group : 6-12 years old

Product Code : CV0010SM

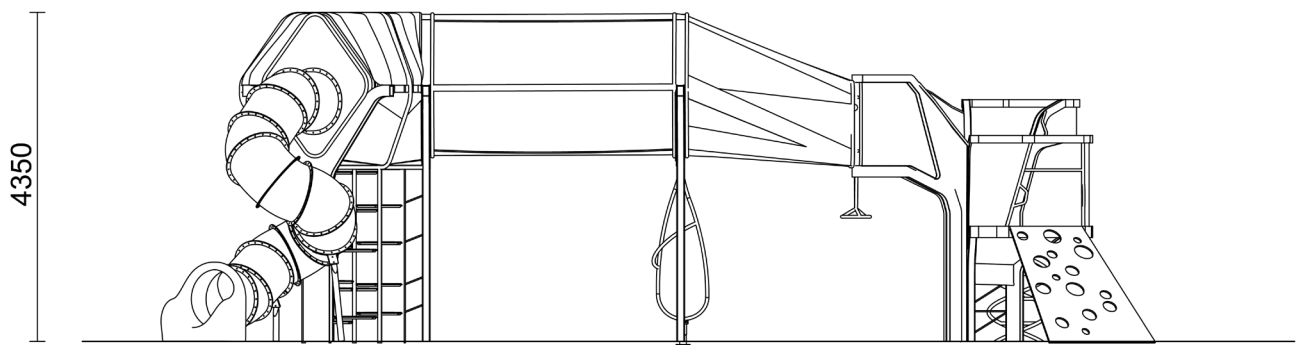
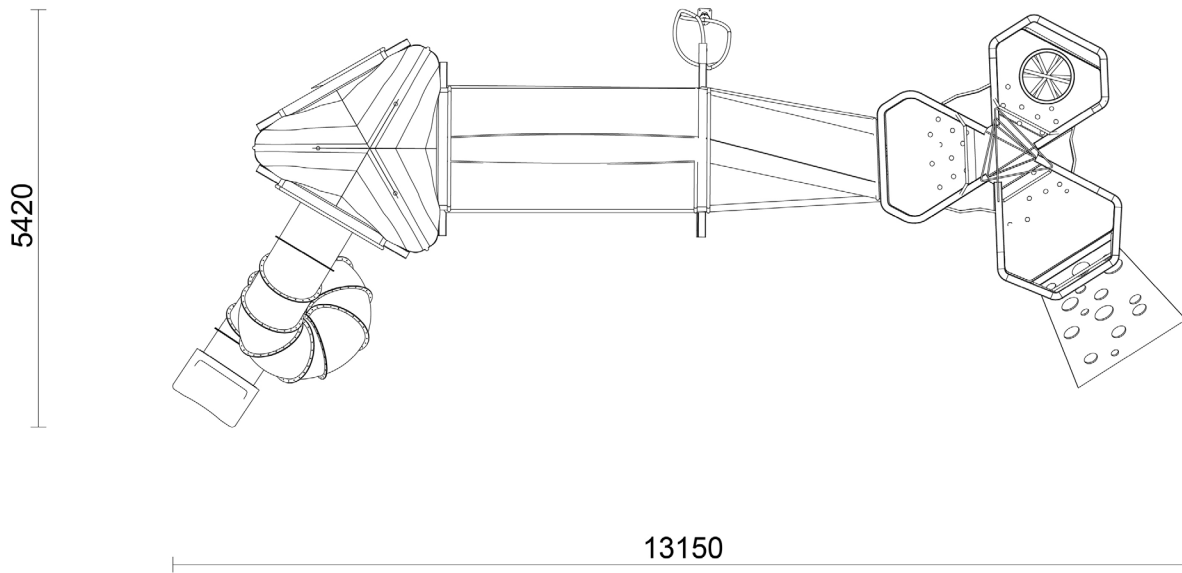
Sizes (mm) : L13150 x H4350 x W5420 mm



Subject to change without prior notice.

KINETICS PLAY SDN. BHD. (1223254-U)

Lot 2-44 Jalan SU7, Lion Industrial Park, Persiaran Tengku Ampuan, 40300 Shah Alam, Selangor, Malaysia.
Tel: +603-5888 9104 Email: info@kineticsplay.com Web: www.kineticsplay.com



Subject to change without prior notice.

KINETICS PLAY SDN. BHD. (1223254-U)

Lot 2-44 Jalan SU7, Lion Industrial Park, Persiaran Tengku Ampuan, 40300 Shah Alam, Selangor, Malaysia.
Tel: +603-5888 9104 Email: info@kineticsplay.com Web: www.kineticsplay.com